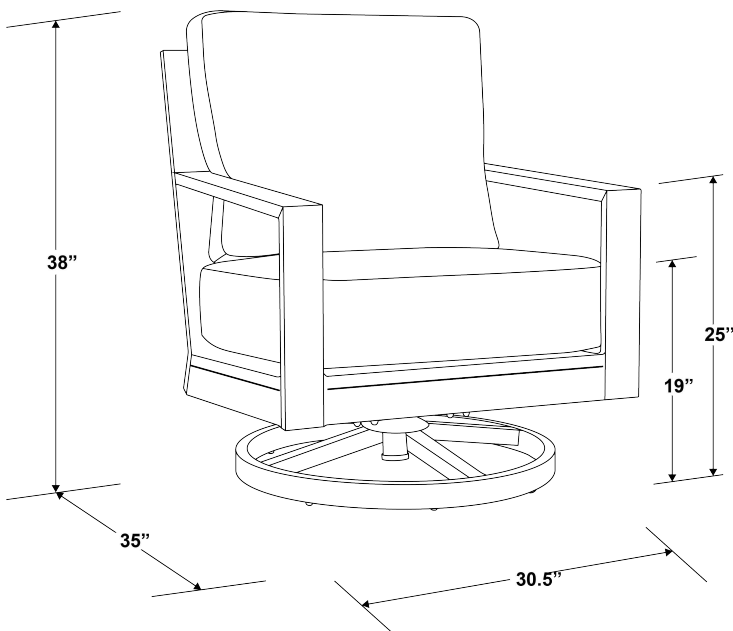


LAGUNA SWIVEL ROCKING CLUB CHAIR

SKU 3501-21SR



SPECS

- Width: 30.5"
Depth: 35"
Height: 38"
Arm Height: 25"
Seat Height: 19"
Weight: 51.0 lbs
- Fully welded, scratch-resistant powder-coated aluminum frame with Hand Brushed Driftwood Finish.
 - Commercial Quality Construction.
 - Adjustable Feet
 - Stocked in Sunbrella Canvas Flax with Velcro straps.
 - Custom Cushions available in approx. 4 weeks.
 - Standard 54" fabric COM yardage required: 4 Yards